

92mm

# San Ace 92L

25mm thick



**General Specifications** With a pulse sensor Specifications for pulse sensors ⇔ Refer to Page 239

\*Please inquire about other specifications.

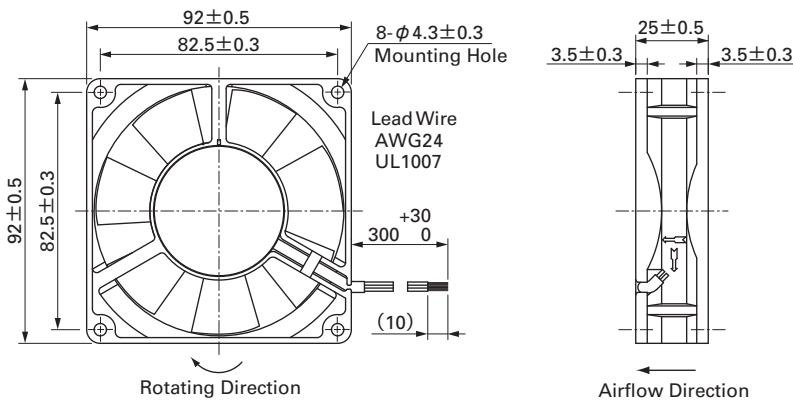
- Material ..... Frame: Aluminum, Impeller:Plastics (Flammability: UL94V-1)
- Life Expectancy ..... Varies for each model(L10:Survival rate: 90% at 60°C ,  
rated voltage,and continuously run in a free air state)
- Lead Wire ..... ⊕red ⊖black Sensor yellow
- Storage Temperature ..... -30°C to +70°C (Non-condensing)

92mm×25mm thick (Mass : 170g)

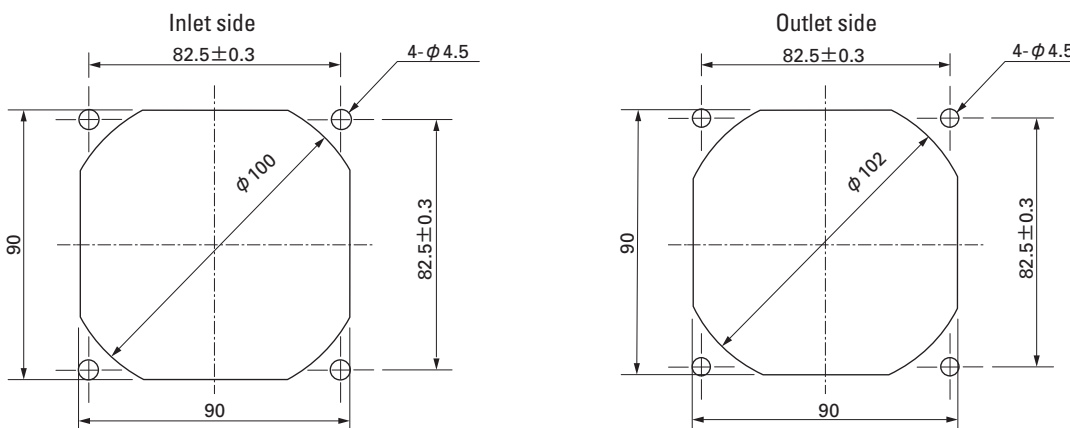
**Specifications**

Model No.	Rated Voltage (V)	Operating Voltage Range (V)	Rated Current (A)	Rated Input (W)	Rated Speed (min <sup>-1</sup> )	Air Flow (m <sup>3</sup> /min) (CFM)	Static Pressure (Pa) (inchH <sub>2</sub> O)	SPL (dB[A])	Operating Temperature Range (°C)	Life Expectancy (h)
109L0912S401	12	10.2 to 13.8	0.32	3.84	3,500	1.69 59.7	66.6 0.267	39	- 10 to + 70	100,000
109L0912H401			0.21	2.52	2,850	1.38 48.7	45.1 0.181	33		
109L0912F401			0.14	1.68	2,450	1.18 41.7	32.3 0.130	30		
109L0912M401			0.11	1.32	2,100	1.01 35.7	23.5 0.094	27		
109L0912L401			0.08	0.96	1,700	0.80 28.2	16.7 0.067	23		
109L0924H401	24	20.4 to 27.6	0.12	2.88	2,850	1.38 48.7	45.1 0.181	33		
109L0924F401			0.08	1.92	2,450	1.18 41.7	32.3 0.130	30		
109L0924M401			0.06	1.44	2,100	1.01 35.7	23.5 0.094	27		
109L0924L401			0.05	1.2	1,700	0.80 28.2	16.7 0.067	23		
109L0948C401	48	43 to 53	0.1	4.8	3,400	1.65 58.3	64.2 0.258	38		
109L0948H401		40.8 to 55.2	0.06	2.88	2,850	1.38 48.7	45.1 0.181	33	100,000	

**Dimensions (Unit : mm)**



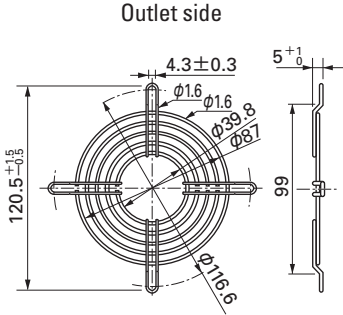
**Reference dimension of mounting holes and vent opening (Unit : mm)**



**Options (Unit : mm)**

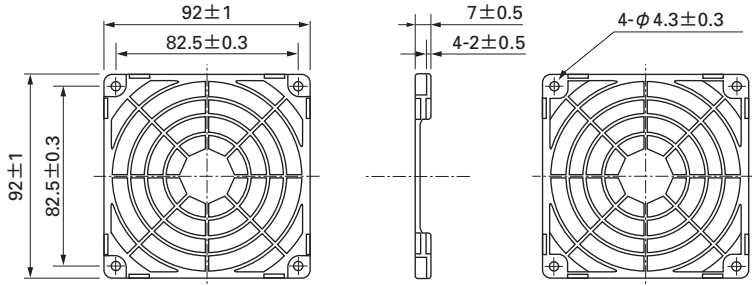
**Finger guards**

Model : 109-099C Surface treatment : Nickel-chrome plating (silver) Color : Silver



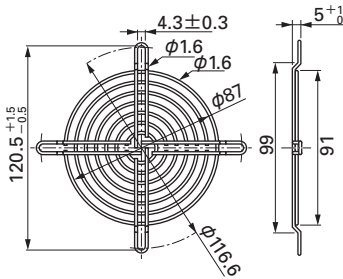
**Resin Finger guards**

Model : 109-1001G



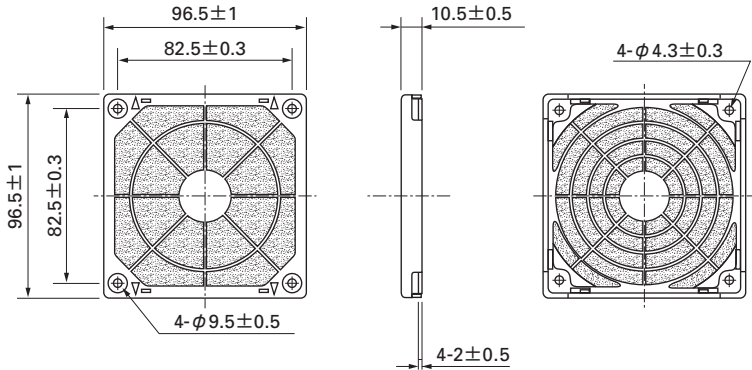
Model : 109-099E Surface treatment : Nickel-chrome plating (silver) Color : Silver  
: 109-099H : Cation electropainting (black)

Inlet side, Outlet side

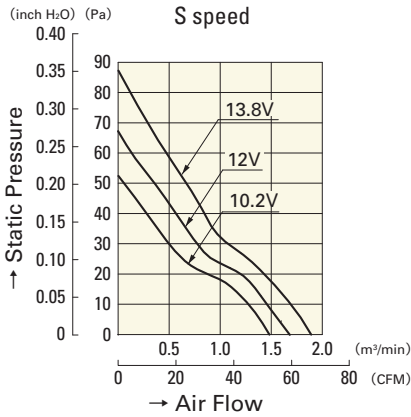


**Resin filter kits**

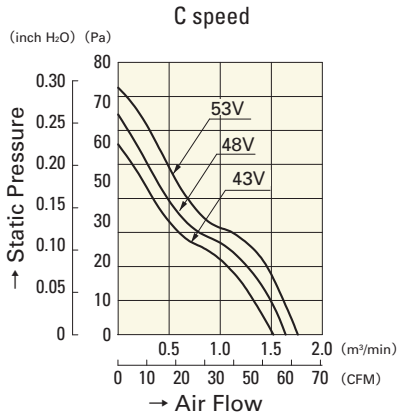
Model : 109-1001F13 (13PPI), 109-1001F20 (20PPI) : 109-1001F30 (30PPI), 109-1001F40 (40PPI)



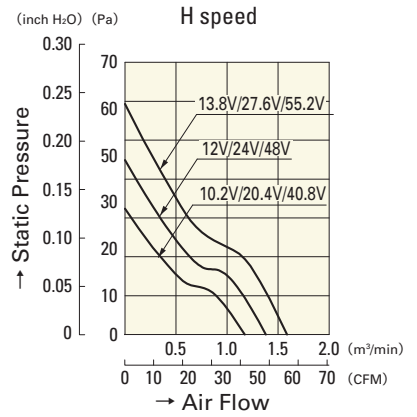
**Air Flow and Static Pressure Characteristics**



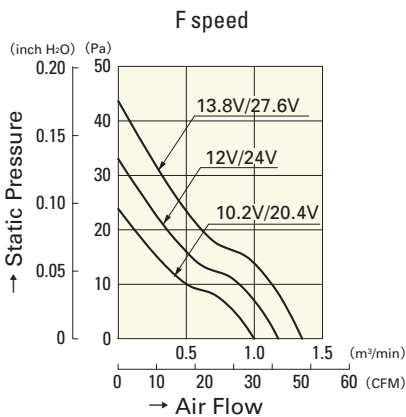
**109L0912S401**



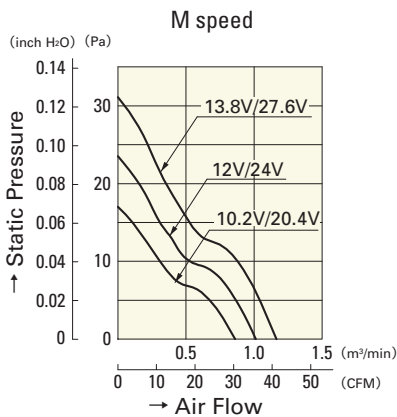
**109L0948C401**



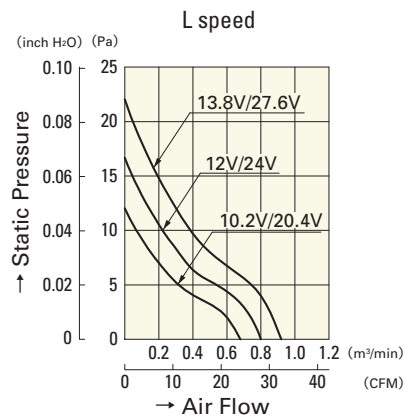
**109L0912H401**  
**109L0924H401**  
**109L0948H401**



**109L0912F401**  
**109L0924F401**



**109L0912M401**  
**109L0924M401**



**109L0912L401**  
**109L0924L401**