

80mm

San Ace 80L

25mm thick



General Specifications With a pulse sensor Specifications for pulse sensors ⇔ Refer to Page 239

*Please inquire about other specifications.

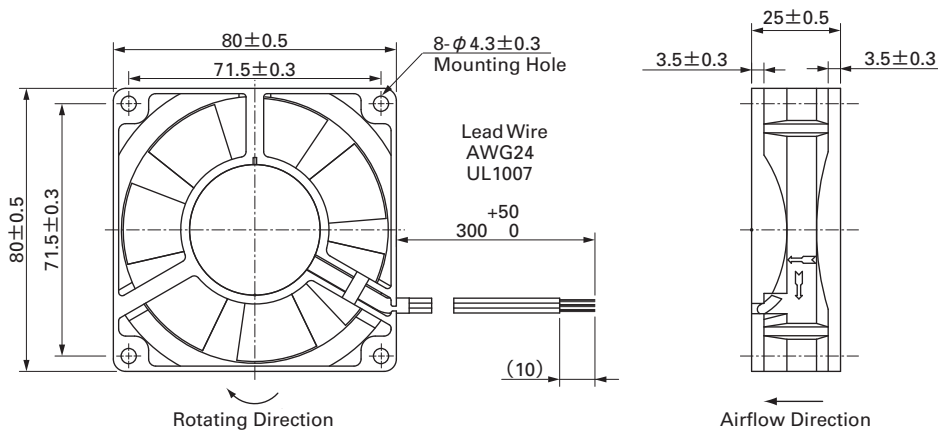
- Material Frame: Aluminum, Impeller: Plastics (Flammability: UL94V-1)
- Life Expectancy Varies for each model (L10: Survival rate: 90% at 60°C, rated voltage, and continuously run in a free air state)
- Lead Wire ⊕ red ⊖ black Sensor yellow
- Storage Temperature -30°C to +70°C (Non-condensing)

80mm × 25mm thick (Mass : 150g)

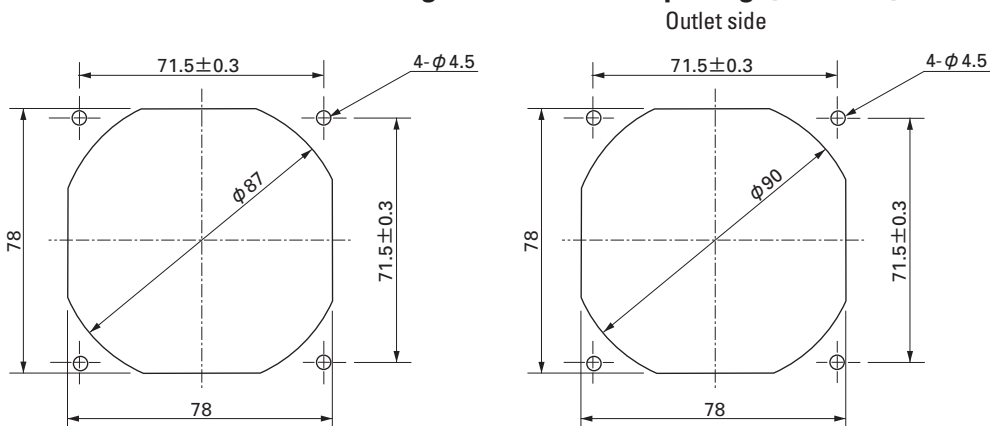
Specifications

Model No.	Rated Voltage (V)	Operating Voltage Range (V)	Rated Current (A)	Rated Input (W)	Rated Speed (min ⁻¹)	Air Flow (m ³ /min) (CFM)		Static Pressure (Pa) (inchH ₂ O)		SPL (dB[A])	Operating Temperature Range (°C)	Life Expectancy (h)
109L0812S401	12	10.2 to 13.8	0.26	3.12	3,400	1.2	42.4	50	0.2	37	- 10 to + 70	100,000
109L0812H401			0.18	2.16	3,000	1.06	37.4	39.2	0.157	32		
109L0812F401			0.14	1.68	2,700	0.93	32.8	32.3	0.130	29		
109L0812M401			0.1	1.2	2,400	0.83	29.3	26.5	0.106	26		
109L0812L401			0.08	0.96	1,900	0.63	22.2	16.7	0.067	22		
109L0824S401	24	20.4 to 27.6	0.11	2.64	3,400	1.2	42.4	50	0.2	37		
109L0824H401			0.09	2.16	3,000	1.06	37.4	39.2	0.157	32		
109L0824F401			0.08	1.92	2,700	0.93	32.8	32.3	0.130	29		
109L0824M401			0.07	1.68	2,400	0.83	29.3	26.5	0.106	26		
109L0824L401			0.05	1.2	1,900	0.63	22.2	16.7	0.067	22		
109L0848H401	48	40.8 to 55.2	0.06	2.88	3,150	1.1	38.8	43.1	0.173	34		

Dimensions (Unit : mm)



Reference dimension of mounting holes and vent opening (Unit : mm)



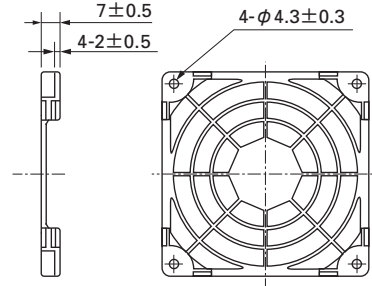
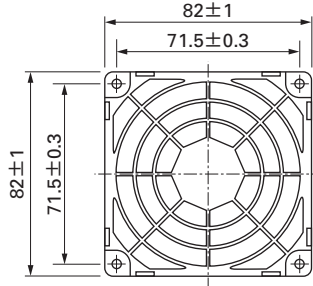
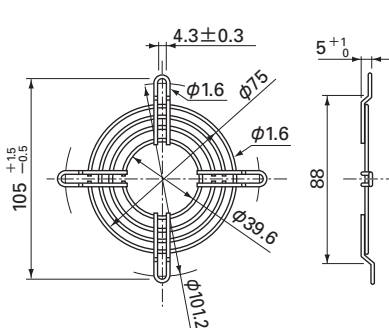
Options (Unit : mm)

Finger guards

Model : 109-049C

Color

Resin Finger guards

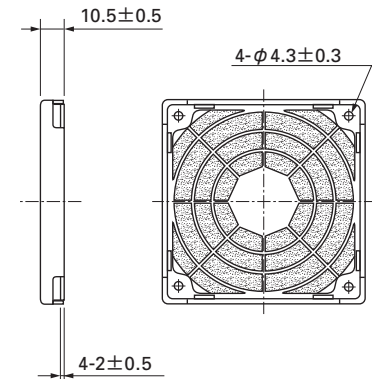
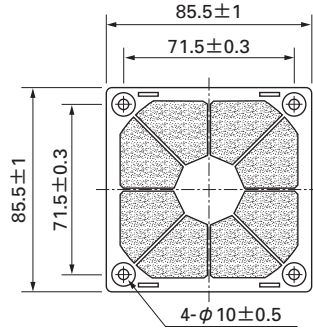
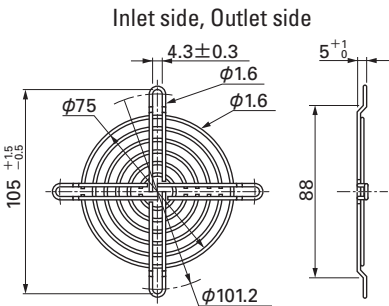


Model : 109-049E Surface treatment : Nickel-chrome plating (silver)
: 109-049H : Cation electropainting (black)

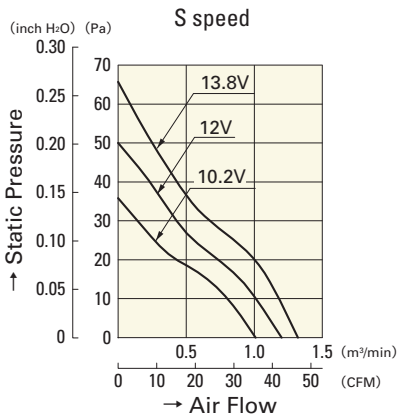
Color

Resin filter kits

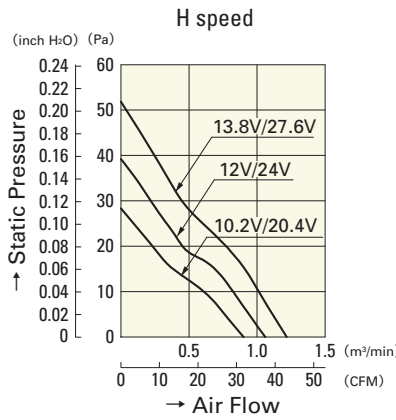
Model : 109-1002F13 (13PPI), 109-1002F20 (20PPI)
: 109-1002F30 (30PPI), 109-1002F40 (40PPI)



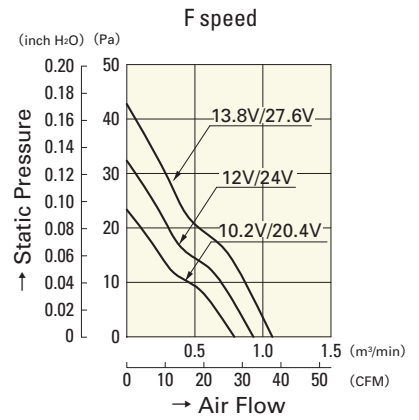
Air Flow and Static Pressure Characteristics



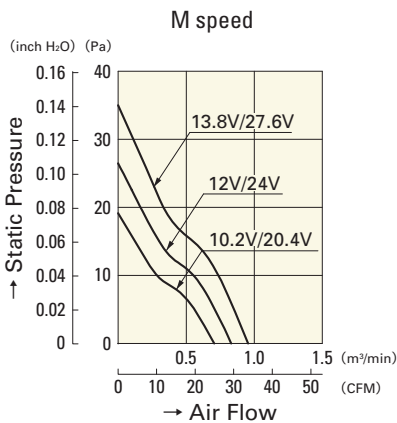
109L0812S401
109L0824S401



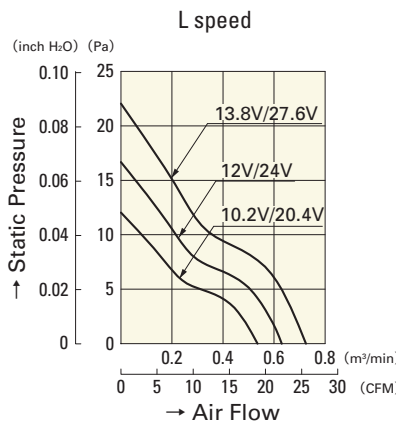
109L0812H401
109L0824H401



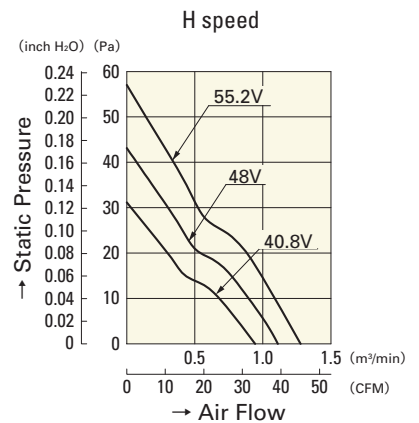
109L0812F401
109L0824F401



109L0812M401
109L0824M401



109L0812L401
109L0824L401



109L0848H401