

φ 172mm

San Ace 172L

51mm thick(Sidecut type)
51mm thick(Round type)



General Specifications With a pulse sensor Specifications for pulse sensors ⇔ Refer to Page 239

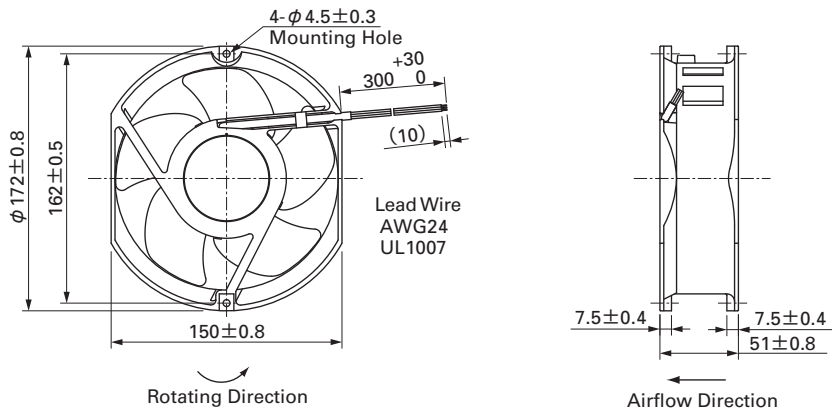
- *Please inquire about other specifications.
- Material Frame: Aluminum, Impeller:Plastics (Flammability: UL94V-1)
- Life Expectancy Varies for each model(L10:Survival rate: 90% at 60°C ,
rated voltage,and continuously run in a free air state)
- Lead Wire ⊕red ⊖black Sensor yellow
- Storage Temperature -30°C to +70°C (Non-condensing)

φ 172mm×51mm thick (Mass : 760g) SideCut type

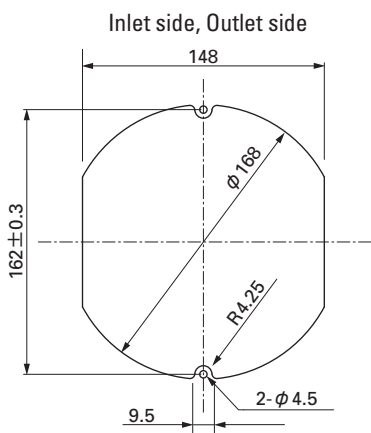
Specifications

Model No.	Rated Voltage (V)	Operating Voltage Range (V)	Rated Current (A)	Rated Input (W)	Rated Speed (min ⁻¹)	Air Flow (m ³ /min) (CFM)	Static Pressure (Pa) (inchH ₂ O)	SPL (dB[A])	Operating Temperature Range (°C)	Life Expectancy (h)
109L5712H501	12	10.2 to 13.8	1.2	14.4	3,050	6.4 226	137.2 0.551	52	- 10 to + 70	100,000
109L5712M501			0.48	5.76	2,000	4.2 148	67.6 0.271	41		
109L5724H501	24	20.4 to 27.6	0.58	13.92	3,050	6.4 226	137.2 0.551	52		
109L5724M501			0.2	4.80	2,000	4.2 148	67.6 0.271	41		
109L5748H501	48	40.8 to 55.2	0.28	13.44	3,050	6.4 226	137.2 0.551	52		
109L5748M501			0.11	5.28	2,000	4.2 148	67.6 0.271	41		

Dimensions (Unit : mm)



Reference dimension of mounting holes and vent opening (Unit : mm)



Options (Unit : mm)

Finger guards

Model : 109-319E
: 109-319H

Surface treatment : Nickel-chrome plating (silver)
: Cation electropainting (black)

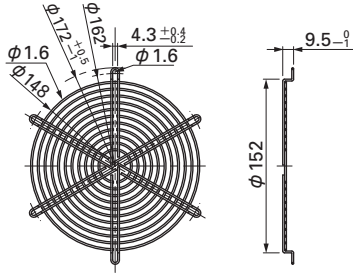
Color

Model : 109-320

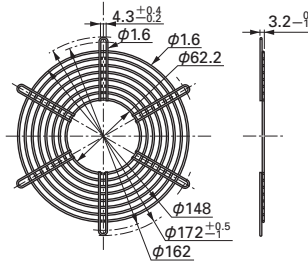
Surface treatment : Nickel-chrome plating (silver)
Color

Color

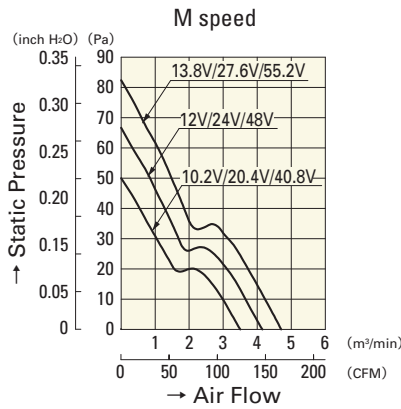
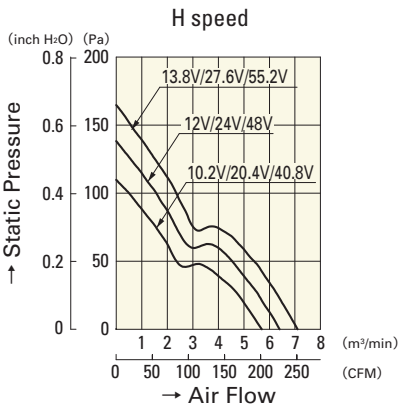
Inlet side, Outlet side



Outlet side



Air Flow and Static Pressure Characteristics



- 109L5712H501**
- 109L5724H501**
- 109L5748H501**

- 109L5712M501**
- 109L5724M501**
- 109L5748M501**