

120mm

San Ace 120L

38mm thick(Low noise)
38mm thick(G type)



General Specifications With a pulse sensor Specifications for pulse sensors ⇔ Refer to Page 239

*Please inquire about other specifications.

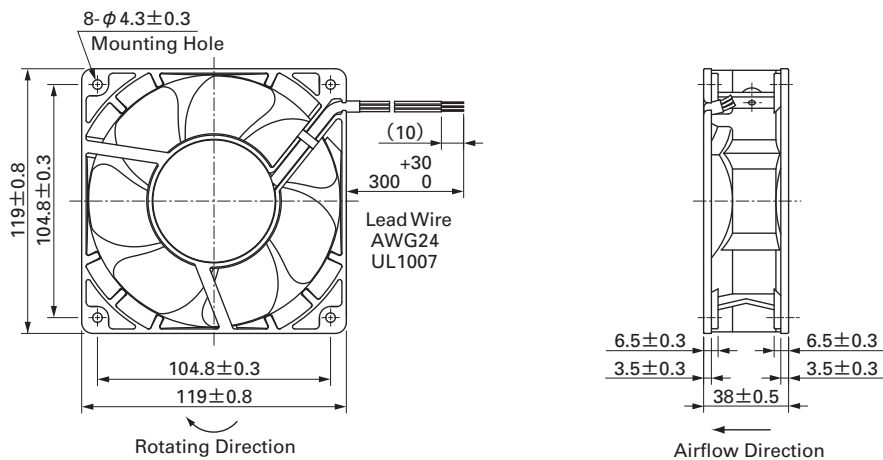
- Material Frame: Aluminum, Impeller:Plastics (Flammability: UL94V-1)
- Life Expectancy Varies for each model(L10:Survival rate: 90% at 60°C ,
rated voltage,and continuously run in a free air state)
- Lead Wire ⊕red ⊖black or (Sensor) yellow
- Storage Temperature ... -30°C to +70°C (Non-condensing)

120mm×38mm thick (Mass : 370g) **G type**

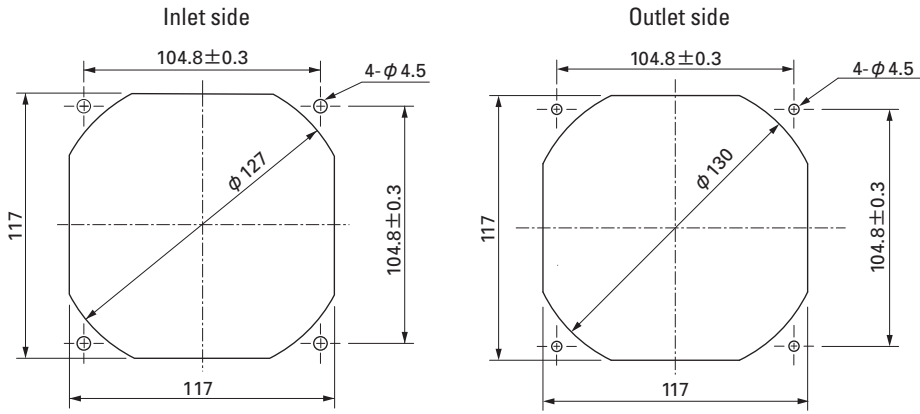
Specifications

Model No.	Rated Voltage (V)	Operating Voltage Range (V)	Rated Current (A)	Rated Input (W)	Rated Speed (min ⁻¹)	Air Flow (m ³ /min) (CFM)		Static Pressure (Pa) (inchH ₂ O)		SPL (dB[A])	Operating Temperature Range (°C)	Life Expectancy (h)
9GL1212J101	12	10.2 to 13.8	1.9	22.8	4,800	5.10	180	230	0.924	57	- 10 to + 70	60,000
9GL1212G101			0.98	11.8	3,600	3.88	137	135	0.542	49		80,000
9GL1212E101			0.61	7.32	3,100	3.34	118	100	0.402	46		100,000
9GL1212H101		7 to 13.8	0.38	4.56	2,600	2.80	99	70.4	0.283	39		
9GL1212F101			0.28	3.36	2,280	2.45	87	54.2	0.218	36		
9GL1212M101			0.21	2.52	1,950	2.10	74	39.6	0.159	32		
9GL1224J101	24	20.4 to 27.6	1.0	24.0	4,800	5.10	180	230	0.924	57	- 10 to + 70	60,000
9GL1224G101			0.50	12.0	3,600	3.88	137	135	0.542	49		80,000
9GL1224E101			0.34	8.16	3,100	3.34	118	100	0.402	46		100,000
9GL1224H101		14 to 27.6	0.22	5.28	2,600	2.80	99	70.4	0.283	39		
9GL1224F101			0.16	3.84	2,280	2.45	87	54.2	0.218	36		
9GL1224M101			0.11	2.64	1,950	2.10	74	39.6	0.159	32		
9GL1248J101	48	40.8 to 55.2	0.51	24.5	4,800	5.10	180	230	0.924	57	- 10 to + 70	60,000
9GL1248G101			0.25	12.0	3,600	3.88	137	135	0.542	49		80,000
9GL1248E101			0.17	8.16	3,100	3.34	118	100	0.402	46		100,000
9GL1248H101			0.11	5.28	2,600	2.80	99	70.4	0.283	39		
9GL1248F101			0.09	4.32	2,280	2.45	87	54.2	0.218	36		
9GL1248M101			0.07	3.36	1,950	2.10	74	39.6	0.159	32		

Dimensions (Unit : mm)



Reference dimension of mounting holes and vent opening (Unit : mm)

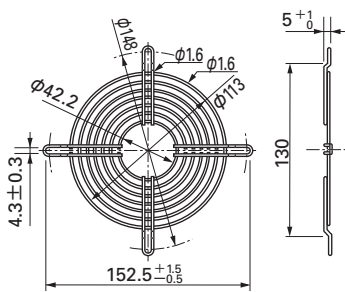


Options (Unit : mm)

Finger guards

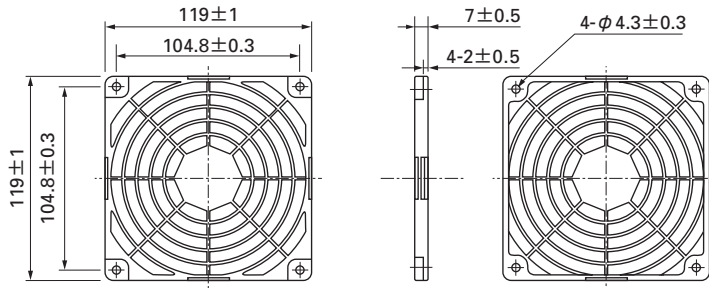
Model : 109-019C Surface treatment : Nickel-chrome plating (silver) Color
 : 109-019H : Cation electropainting (black)

Outlet side



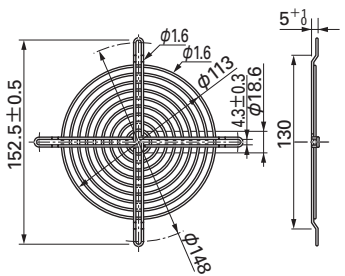
Resin Finger guards

Model : 109-1000G



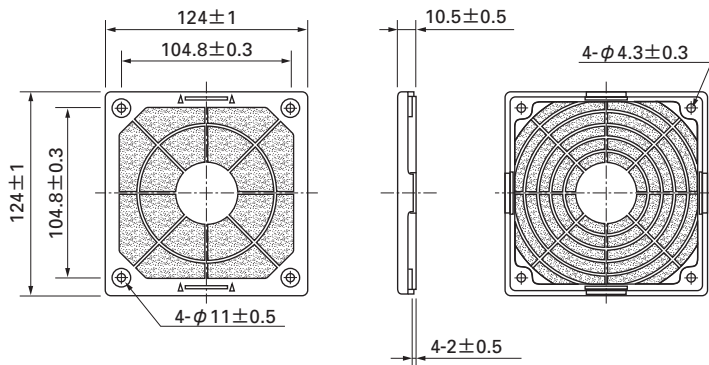
Model : 109-019E Surface treatment : Nickel-chrome plating (silver) Color
 : 109-019K : Cation electropainting (black)

Inlet side, Outlet side



Resin filter kits

Model : 109-1000F13 (13PPI), 109-1000F20 (20PPI)
 : 109-1000F30 (30PPI), 109-1000F40 (40PPI)

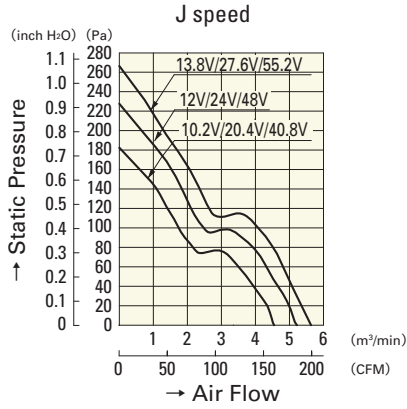


120mm

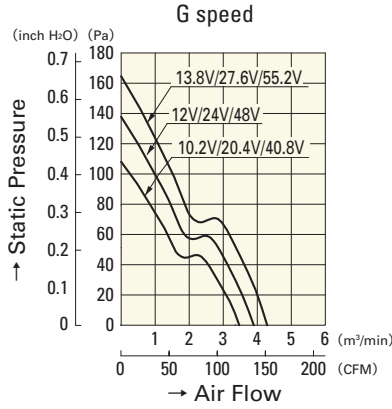
San Ace 120L

120mm × 38mm thick (Mass : 370g)

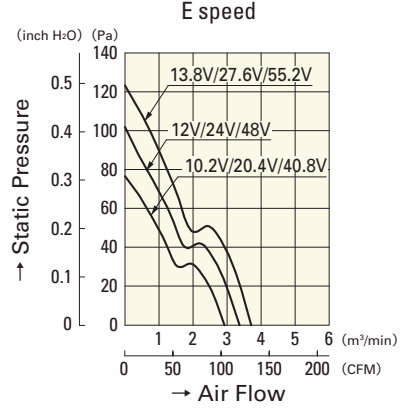
Air Flow and Static Pressure Characteristics



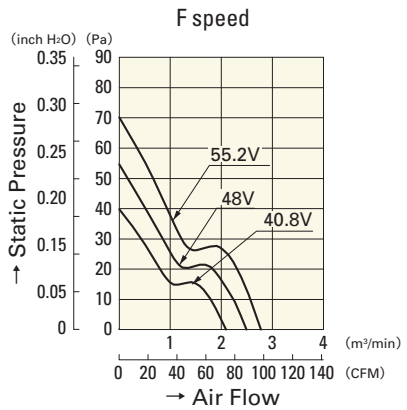
- 9GL1212J101**
- 9GL1224J101**
- 9GL1248J101**



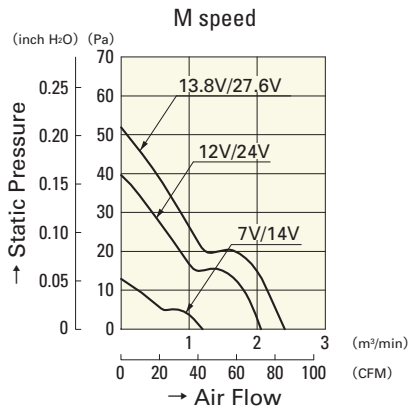
- 9GL1212G101**
- 9GL1224G101**
- 9GL1248G101**



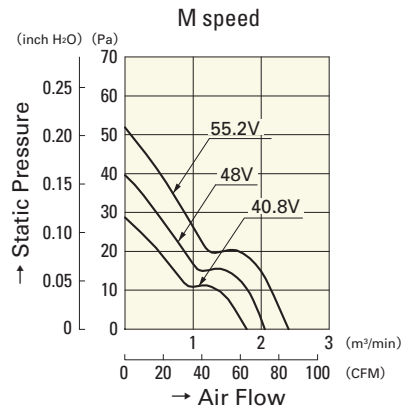
- 9GL1212E101**
- 9GL1224E101**
- 9GL1248E101**



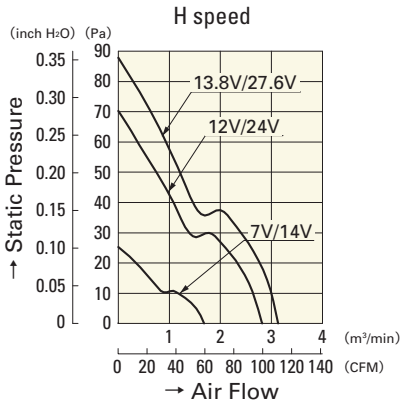
- 9GL1248F101**



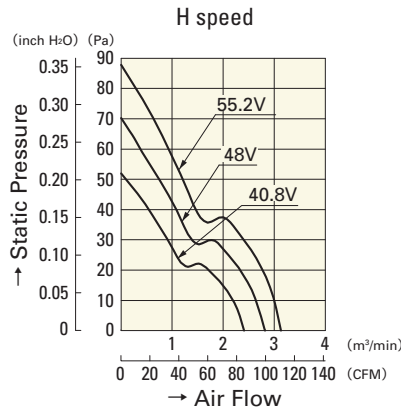
- 9GL1212M101**
- 9GL1224M101**



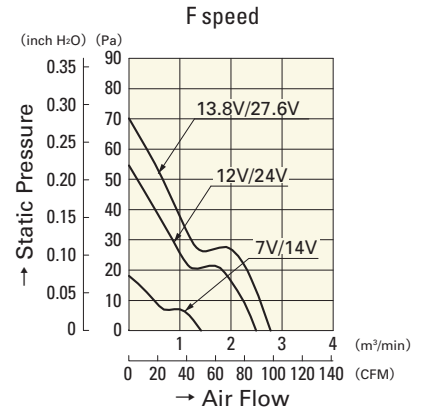
- 9GL1248M101**



9GL1212H101
9GL1224H101



9GL1248H101



9GL1212F101
9GL1224F101