

40mm

San Ace 40L

28mm thick



General Specifications With a pulse sensor Specifications for pulse sensors ⇔ Refer to Page 239

*Please inquire about other specifications.

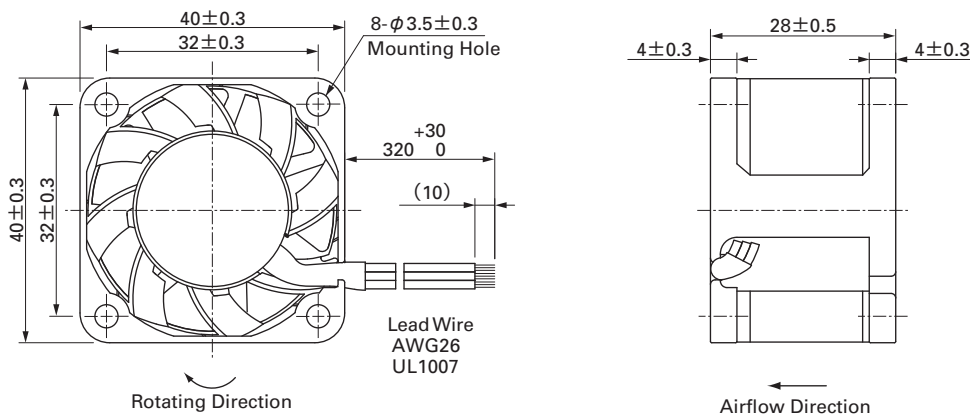
- Material Frame: Aluminum, Impeller: Plastics (Flammability: UL94V-0)
- Life Expectancy Varies for each model (L10: Survival rate: 90% at 60°C, rated voltage, and continuously run in a free air state)
- Lead Wire ⊕ red ⊖ black Sensor yellow
- Storage Temperature -30°C to +70°C (Non-condensing)

40mm × 28mm thick (Mass : 55g)

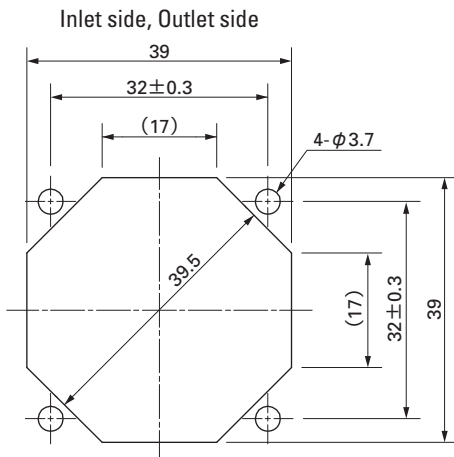
Specifications

Model No.	Rated Voltage (V)	Operating Voltage Range (V)	Rated Current (A)	Rated Input (W)	Rated Speed (min ⁻¹)	Air Flow (m ³ /min) (CFM)		Static Pressure (Pa) (inchH ₂ O)		SPL (dB[A])	Operating Temperature Range (°C)	Life Expectancy (h)
9L0412J301	12	10.2 to 13.8	0.31	3.72	11,700	0.52	18.4	206	0.827	48	-10 to +70	100,000
9L0412H301			0.15	1.80	8,400	0.37	13.1	106	0.426	40		
9L0412M301			0.045	0.54	4,000	0.16	5.65	24	0.096	19		

Dimensions (Unit : mm)



Reference dimension of mounting holes and vent opening (Unit : mm)

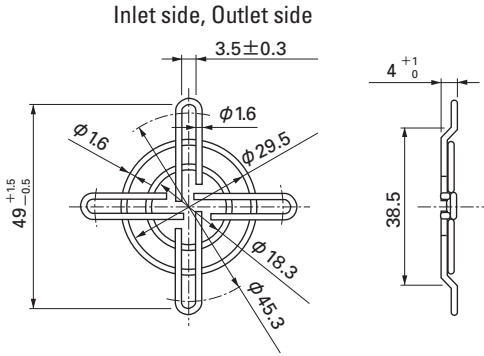


Options (Unit : mm)

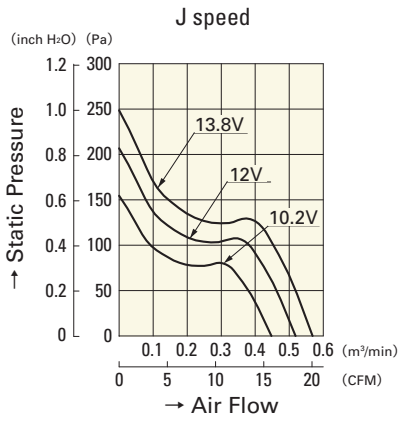
Finger guards

Model : 109-059

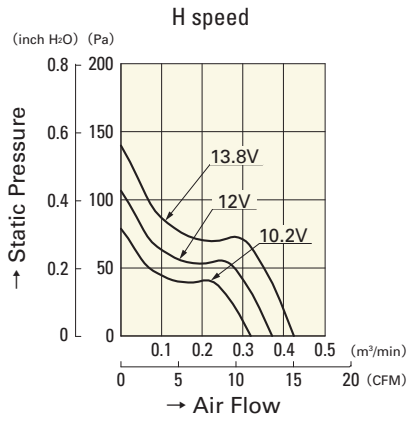
Color
Surface treatment : Nickel-chrome plating (silver)



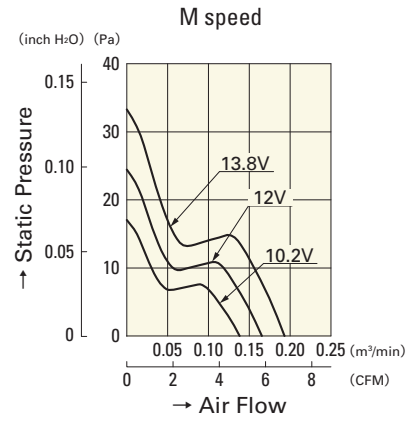
Air Flow and Static Pressure Characteristics



9L0412J301



9L0412H301



9L0412M301