

φ 172mm

San Ace 172L

51mm thick(Sidecut type)
51mm thick(Round type)



General Specifications With a pulse sensor Specifications for pulse sensors ⇔ Refer to Page 239

*Please inquire about other specifications.

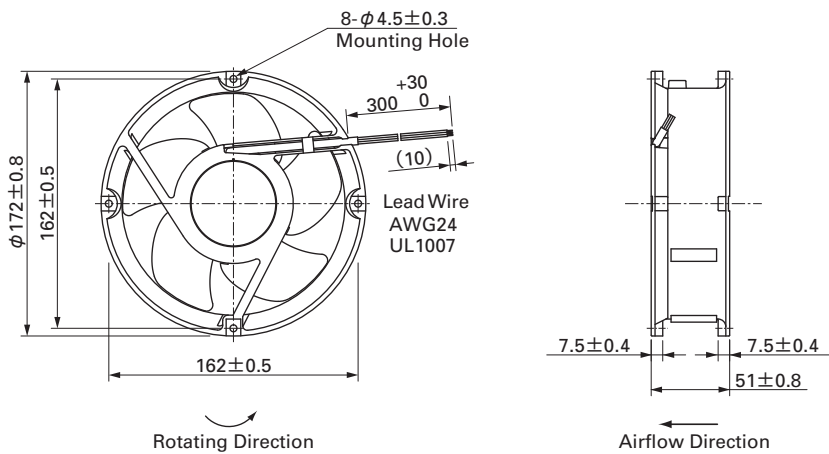
- Material Frame: Aluminum, Impeller:Plastics (Flammability: UL94V-1)
- Life Expectancy Varies for each model(L10:Survival rate: 90% at 60°C ,
rated voltage,and continuously run in a free air state)
- Lead Wire ⊕red ⊖black Sensor yellow
- Storage Temperature -30°C to +70°C (Non-condensing)

φ 172mm×51mm thick (Mass : 780g) Round type

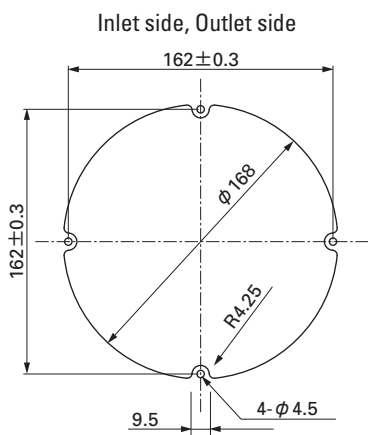
Specifications

| Model No. | Rated Voltage (V) | Operating Voltage Range (V) | Rated Current (A) | Rated Input (W) | Rated Speed (min ⁻¹) | Air Flow (m ³ /min) (CFM) | | Static Pressure (Pa) (inchH ₂ O) | | SPL (dB[A]) | Operating Temperature Range (°C) | Life Expectancy (h) |
|--------------|-------------------|-----------------------------|-------------------|-----------------|----------------------------------|--------------------------------------|-----|---|-------|-------------|----------------------------------|---------------------|
| 109L1712H501 | 12 | 10.2 to 13.8 | 1.2 | 14.4 | 3,050 | 6.4 | 226 | 137.2 | 0.551 | 47 | - 10 to + 70 | 100,000 |
| 109L1712M501 | | | 0.48 | 5.76 | 2,000 | 4.2 | 148 | 67.6 | 0.271 | 36 | | |
| 109L1724H501 | 24 | 20.4 to 27.6 | 0.58 | 13.92 | 3,050 | 6.4 | 226 | 137.2 | 0.551 | 47 | | |
| 109L1724M501 | | | 0.2 | 4.80 | 2,000 | 4.2 | 148 | 67.6 | 0.271 | 36 | | |
| 109L1748H501 | 48 | 40.8 to 55.2 | 0.28 | 13.44 | 3,050 | 6.4 | 226 | 137.2 | 0.551 | 47 | | |
| 109L1748M501 | | | 0.11 | 5.28 | 2,000 | 4.2 | 148 | 67.6 | 0.271 | 36 | | |

Dimensions (Unit : mm)



Reference dimension of mounting holes and vent opening (Unit : mm)



Options (Unit : mm)

Finger guards

Model : 109-319E
: 109-319H

Surface treatment : Nickel-chrome plating (silver)
: Cation electropainting (black)

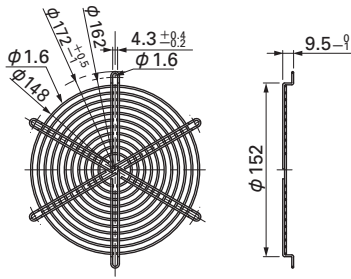
Color

Model : 109-320

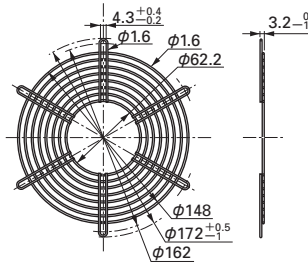
Surface treatment : Nickel-chrome plating (silver)
Color

Color

Inlet side, Outlet side

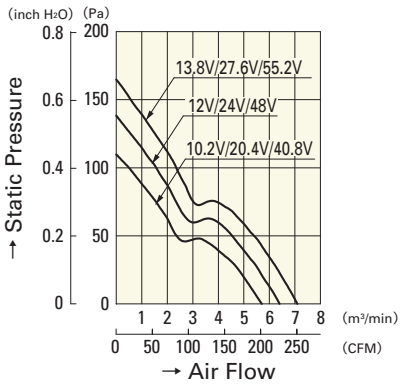


Outlet side

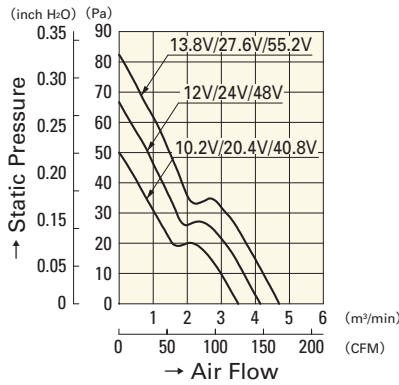


Air Flow and Static Pressure Characteristics

H speed



M speed



- 109L1712H501**
- 109L1724H501**
- 109L1748H501**

- 109L1712M501**
- 109L1724M501**
- 109L1748M501**