

52mm

San Ace 52

15mm thick



General Specifications With a pulse sensor Specifications for pulse sensors ⇔ Refer to Page 239

*Please inquire about other specifications.

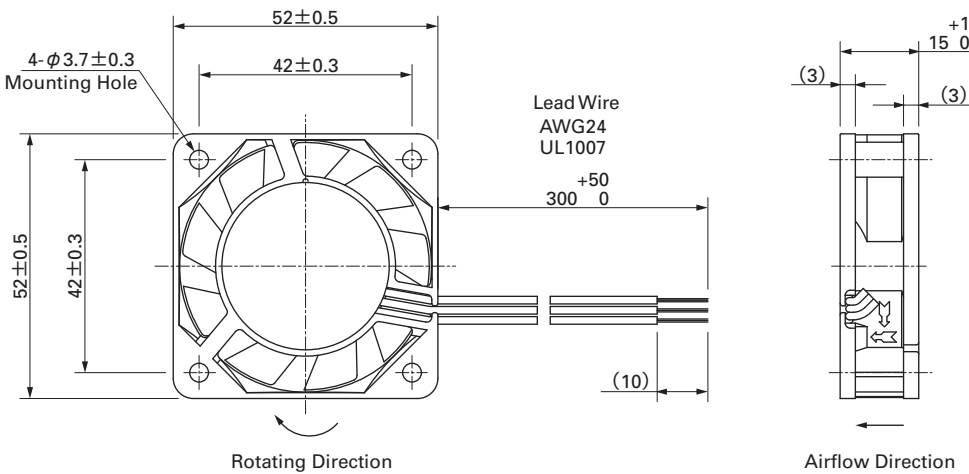
- Material Frame: Plastics (Flammability: UL94V-0),
Impeller: Plastics (Flammability: UL94V-1)
- Life Expectancy Varies for each model (L10: Survival rate: 90% at 60°C, rated voltage, and continuously run in a free air state)
- Lead Wire ⊕ red ⊖ black Sensor yellow
- Storage Temperature -30°C to +70°C (Non-condensing)

52mm × 15mm thick (Mass : 55g)

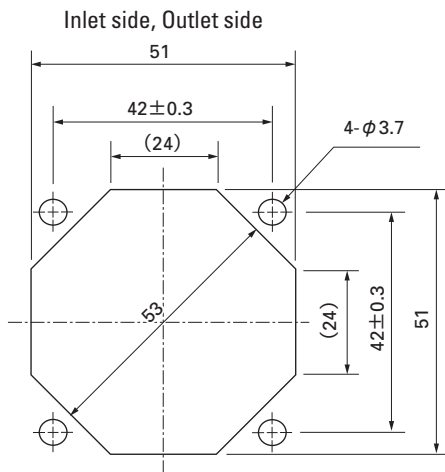
Specifications

Model No.	Rated Voltage (V)	Operating Voltage Range (V)	Rated Current (A)	Rated Input (W)	Rated Speed (min ⁻¹)	Air Flow (m ³ /min (CFM))		Static Pressure (Pa) (inchH ₂ O)		SPL (dB(A))	Operating Temperature Range (°C)	Life Expectancy (h)
109P0505M701	5	4.5 to 5.5	0.15	0.75	3,700	0.205	7.24	21.4	0.086	22	-10 to +70	60,000
109P0512A701	12	10.2 to 13.8	0.21	2.52	6,800	0.375	13.25	69.7	0.280	36		40,000
109P0512H701		7 to 13.8	0.10	1.20	4,600	0.255	9.00	31.9	0.128	27		60,000
109P0512M701			0.07	0.84	3,700	0.205	7.24	21.4	0.086	22		
109P0524H701	24	14 to 27.6	0.05	1.20	4,600	0.255	9.00	31.9	0.128	27		
109P0524M701			0.04	0.96	3,700	0.205	7.24	21.4	0.086	22		

Dimensions (Unit : mm)



Reference dimension of mounting holes and vent opening (Unit : mm)

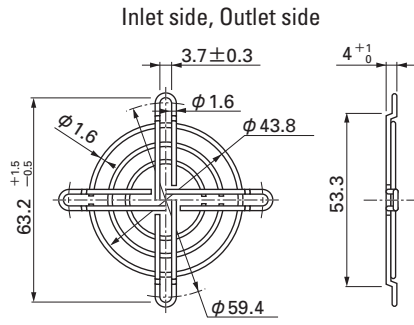
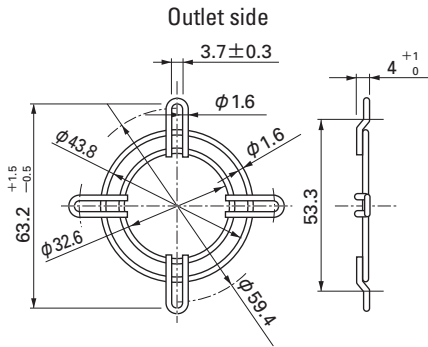


Options (Unit : mm)

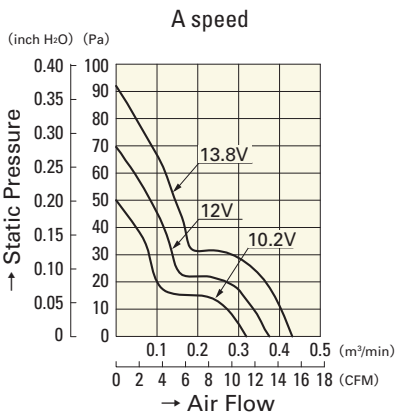
Finger guards

Model : 109-149 Surface treatment : Nickel-chrome plating (silver) Color

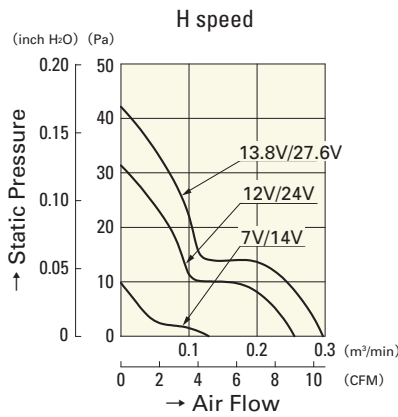
Model : 109-149E Surface treatment : Nickel-chrome plating (silver) Color



Air Flow and Static Pressure Characteristics

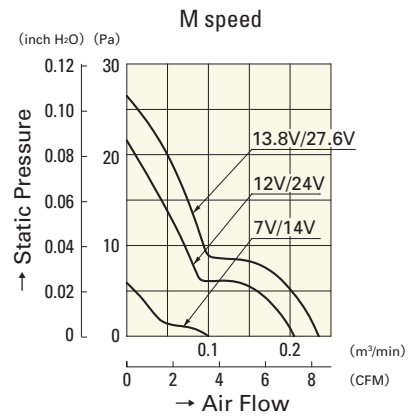


109P0512A701



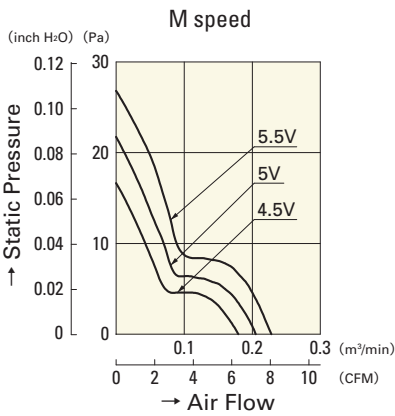
109P0512H701

109P0524H701



109P0512M701

109P0524M701



109P0505M701